

DESPIECE



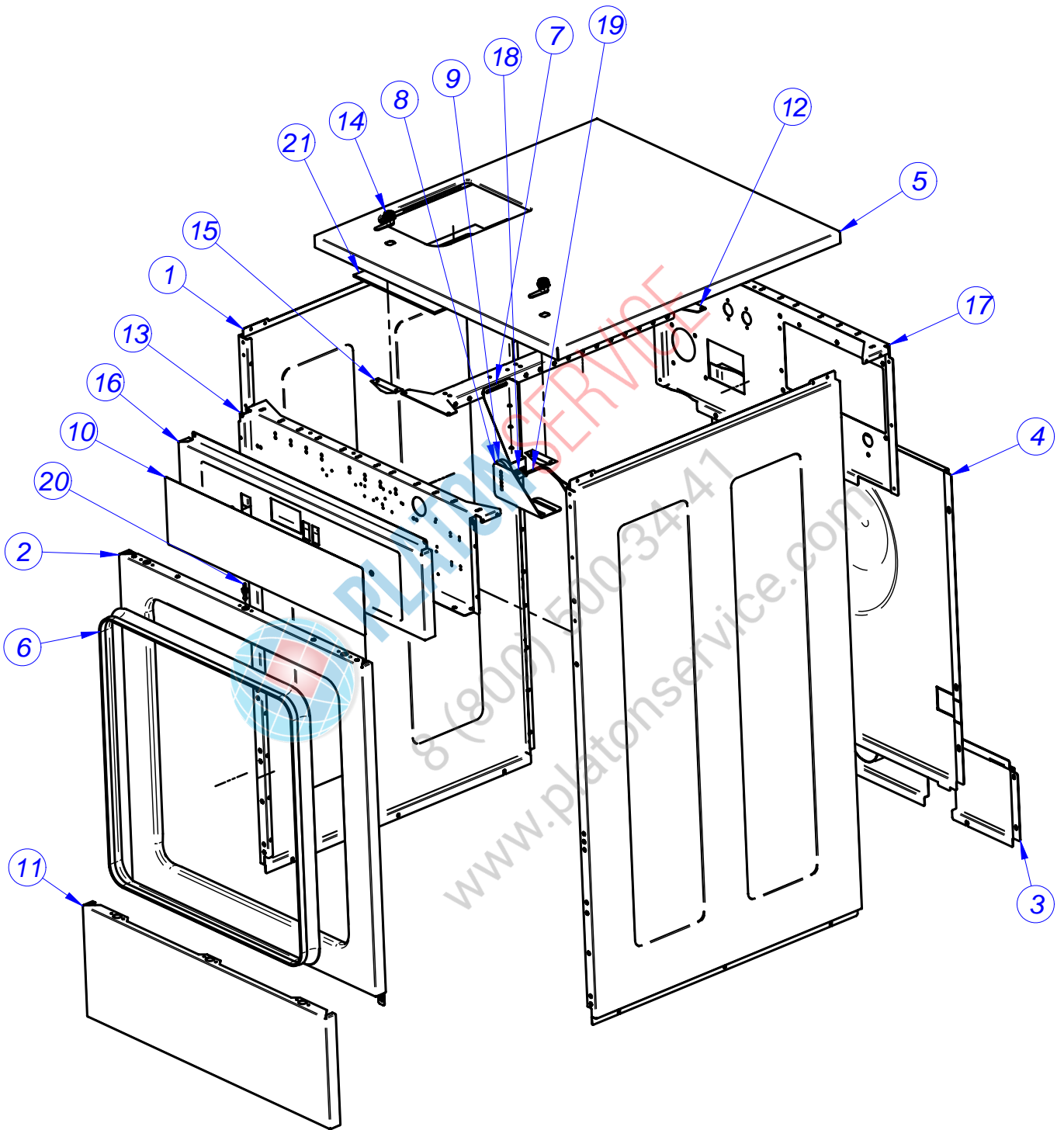
FAGOR



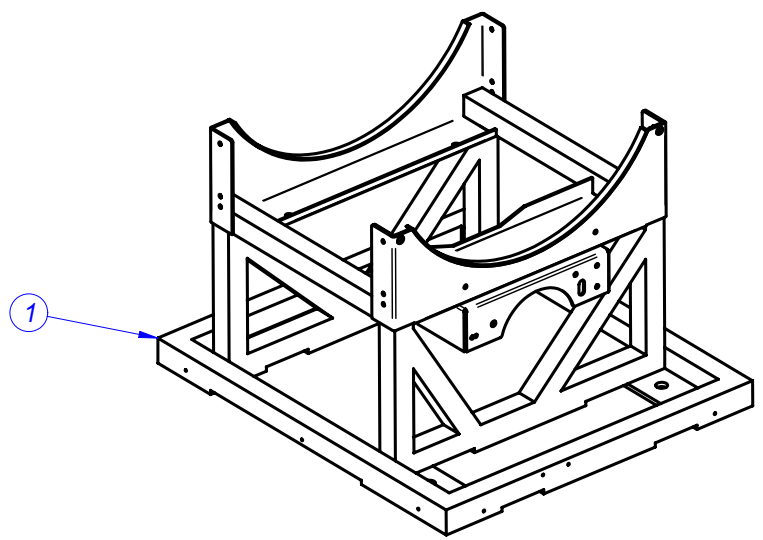
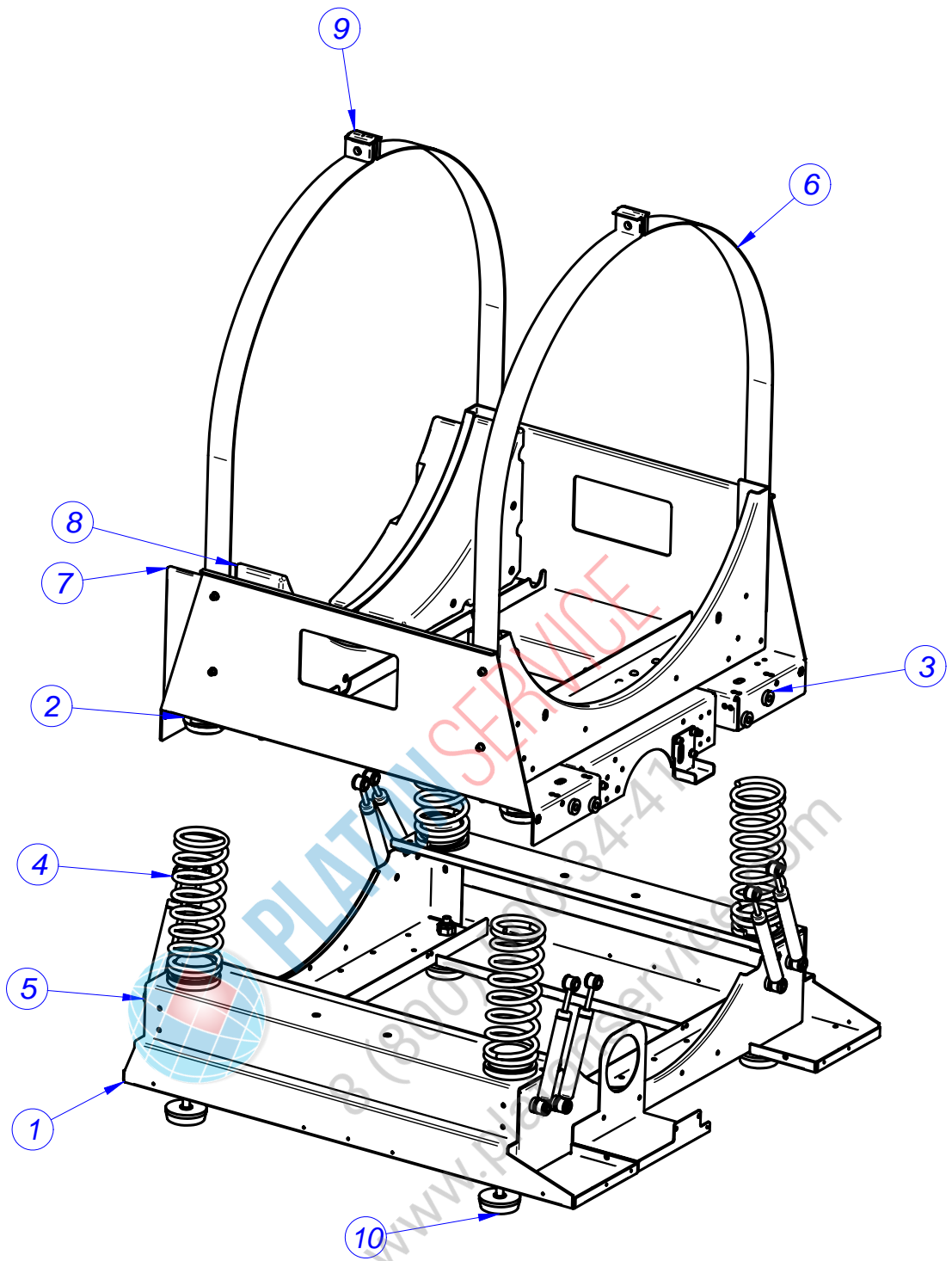
PLATON SERVICE

8 (800) 500 500  
www.platon-service.com

LAVADORAS  
LAVA-LINGE  
WASHING MACHINES  
LAVATRICI  
MÁQUINAS DE LAVAR ROUPA



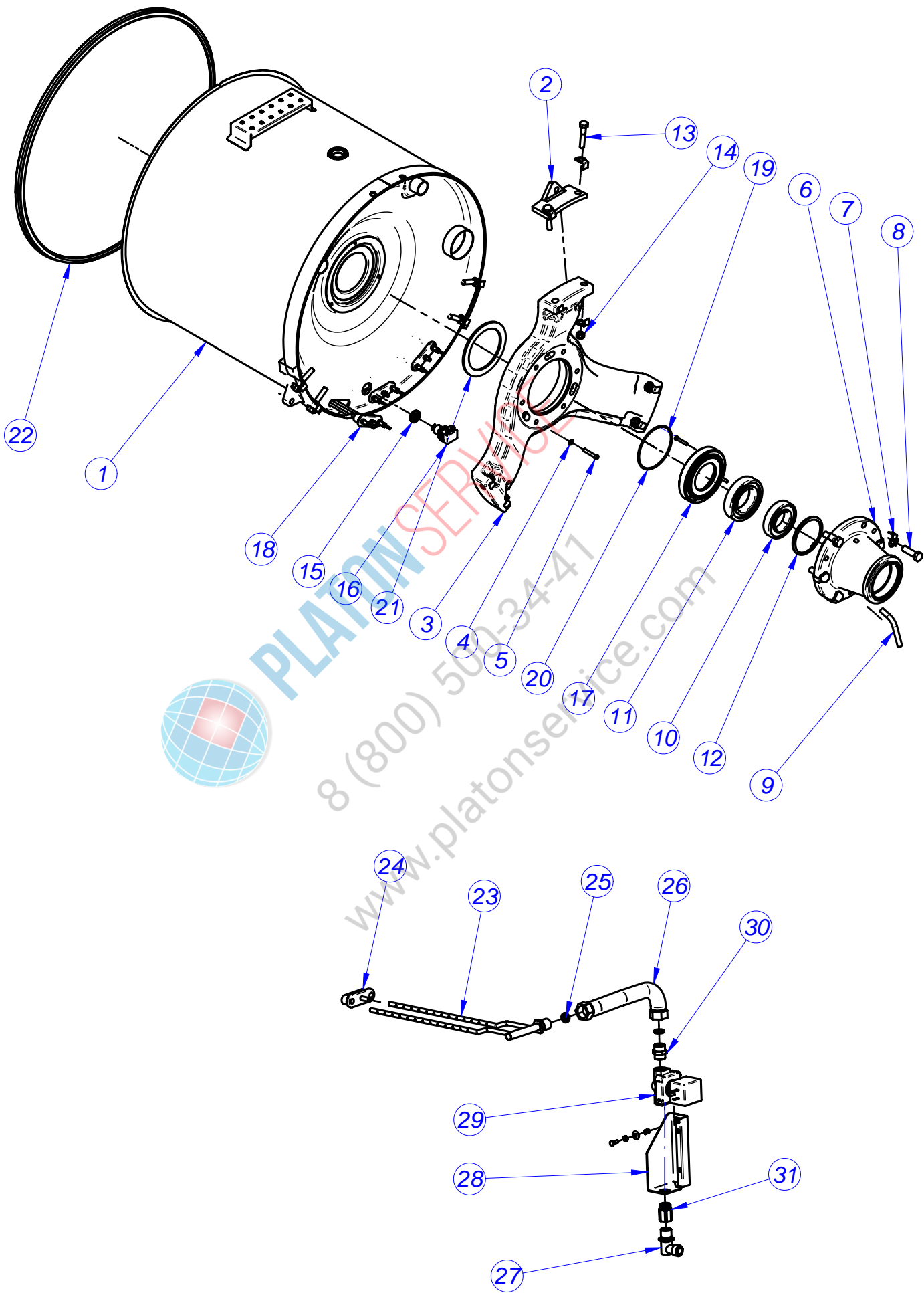




| Nº | DENOMINACION           | LR-10 |    | LA-10 |   |    | LR-13 |    | LA-13 |    |    | LR-18 |    | LA-18 |    |    | LR-25 |    | LA-25 |    |    | CODIGO     |            |
|----|------------------------|-------|----|-------|---|----|-------|----|-------|----|----|-------|----|-------|----|----|-------|----|-------|----|----|------------|------------|
|    |                        | M     | MA | MP    | M | MA | M     | MA | MP    | M  | MA | M     | MA | MP    | M  | MA | M     | MA | MP    | M  | MA |            |            |
| 1  | ARMAZON                | 1     | 1  |       |   |    |       |    |       |    |    |       |    |       |    |    |       |    |       |    |    | P614001000 |            |
|    |                        |       |    | 1     | 1 | 1  |       |    |       |    |    |       |    |       |    |    |       |    |       |    |    |            | P610104000 |
|    |                        |       |    |       |   |    | 1     | 1  |       |    |    |       |    |       |    |    |       |    |       |    |    |            | P624001000 |
|    |                        |       |    |       |   |    |       |    | 1     | 1  | 1  |       |    |       |    |    |       |    |       |    |    |            | P620104000 |
|    |                        |       |    |       |   |    |       |    |       |    |    | 1     | 1  |       |    |    |       |    |       |    |    |            | P634001000 |
|    |                        |       |    |       |   |    |       |    |       |    |    |       |    | 1     | 1  | 1  |       |    |       |    |    |            | P630104000 |
|    |                        |       |    |       |   |    |       |    |       |    |    |       |    |       |    |    | 1     | 1  |       |    |    |            | P644001000 |
| 2  | BASE MUELLE            |       |    | 8     | 8 | 8  |       |    | 8     | 8  | 8  |       |    | 8     | 8  | 8  |       |    |       | 1  | 1  | 1          | P640101000 |
|    |                        |       |    |       |   |    |       |    |       |    |    |       |    |       |    |    |       |    |       | 8  | 8  | 8          | P620106000 |
| 3  | CASQUILLO AMORTIGUADOR |       |    | 8     | 8 | 8  |       |    | 16    | 16 | 16 |       |    | 16    | 16 | 16 |       |    | 16    | 16 | 16 | P620107000 |            |
| 4  | MUELLE                 |       |    | 4     | 4 | 4  |       |    |       |    |    |       |    |       |    |    |       |    |       |    |    | P610105000 |            |
|    |                        |       |    |       |   |    |       |    | 4     | 4  | 4  |       |    |       |    |    |       |    |       |    |    | P620105000 |            |
|    |                        |       |    |       |   |    |       |    |       |    |    |       |    | 4     | 4  | 4  |       |    |       |    |    | P630106000 |            |
|    |                        |       |    |       |   |    |       |    |       |    |    |       |    |       |    |    |       |    |       | 4  | 4  | 4          | P640108000 |
| 5  | AMORTIGUADOR           |       |    | 4     | 4 | 4  |       |    |       |    |    |       |    |       |    |    |       |    |       |    |    | P620115000 |            |
|    |                        |       |    |       |   |    |       |    | 8     | 8  | 8  |       |    |       |    |    |       |    |       |    |    | P620126000 |            |
|    |                        |       |    |       |   |    |       |    |       |    |    |       |    | 8     | 8  | 8  |       |    |       |    |    | P620115000 |            |
|    |                        |       |    |       |   |    |       |    |       |    |    |       |    |       |    |    |       |    |       | 8  | 8  | 8          | P630111000 |
| 6  | CUNA                   |       |    | 1     | 1 | 1  |       |    |       |    |    |       |    |       |    |    |       |    |       |    |    | P610216000 |            |
|    |                        |       |    |       |   |    |       |    | 1     | 1  | 1  |       |    |       |    |    |       |    |       |    |    | P620207000 |            |
|    |                        |       |    |       |   |    |       |    |       |    |    |       |    | 1     | 1  | 1  |       |    |       |    |    | P630207000 |            |
|    |                        |       |    |       |   |    |       |    |       |    |    |       |    |       |    |    |       |    |       | 1  | 1  | 1          | P640201000 |
| 7  | CONTRAPESO ANTERIOR    |       |    | 2     | 2 | 2  |       |    |       |    |    |       |    |       |    |    |       |    |       |    |    | P610207000 |            |
|    |                        |       |    |       |   |    |       |    | 2     | 2  | 2  |       |    |       |    |    |       |    |       |    |    | P620201000 |            |
|    |                        |       |    |       |   |    |       |    |       |    |    |       |    | 2     | 2  | 2  |       |    |       |    |    | P630212000 |            |
|    |                        |       |    |       |   |    |       |    |       |    |    |       |    |       |    |    |       |    |       | 2  | 2  | 2          | P640205000 |
| 8  | CONTRAPESO POSTERIOR   |       |    | 2     | 2 | 2  |       |    |       |    |    |       |    |       |    |    |       |    |       |    |    | P610207000 |            |
|    |                        |       |    |       |   |    |       |    | 2     | 2  | 2  |       |    |       |    |    |       |    |       |    |    | P620201000 |            |
|    |                        |       |    |       |   |    |       |    |       |    |    |       |    | 2     | 2  | 2  |       |    |       |    |    | P630208000 |            |
|    |                        |       |    |       |   |    |       |    |       |    |    |       |    |       |    |    |       |    |       | 2  | 2  | 2          | P640208000 |
| 9  | AMARRE ABRAZADERA      | 4     | 4  | 4     | 4 | 4  | 4     | 4  | 4     | 4  | 4  | 4     | 4  | 4     | 4  | 4  | 4     | 4  | 4     | 4  | 4  | P640215000 |            |
| 10 | PATA                   |       |    | 4     | 4 | 4  |       |    | 4     | 4  | 4  |       |    | 4     | 4  | 4  |       |    | 4     | 4  | 4  | P626521000 |            |

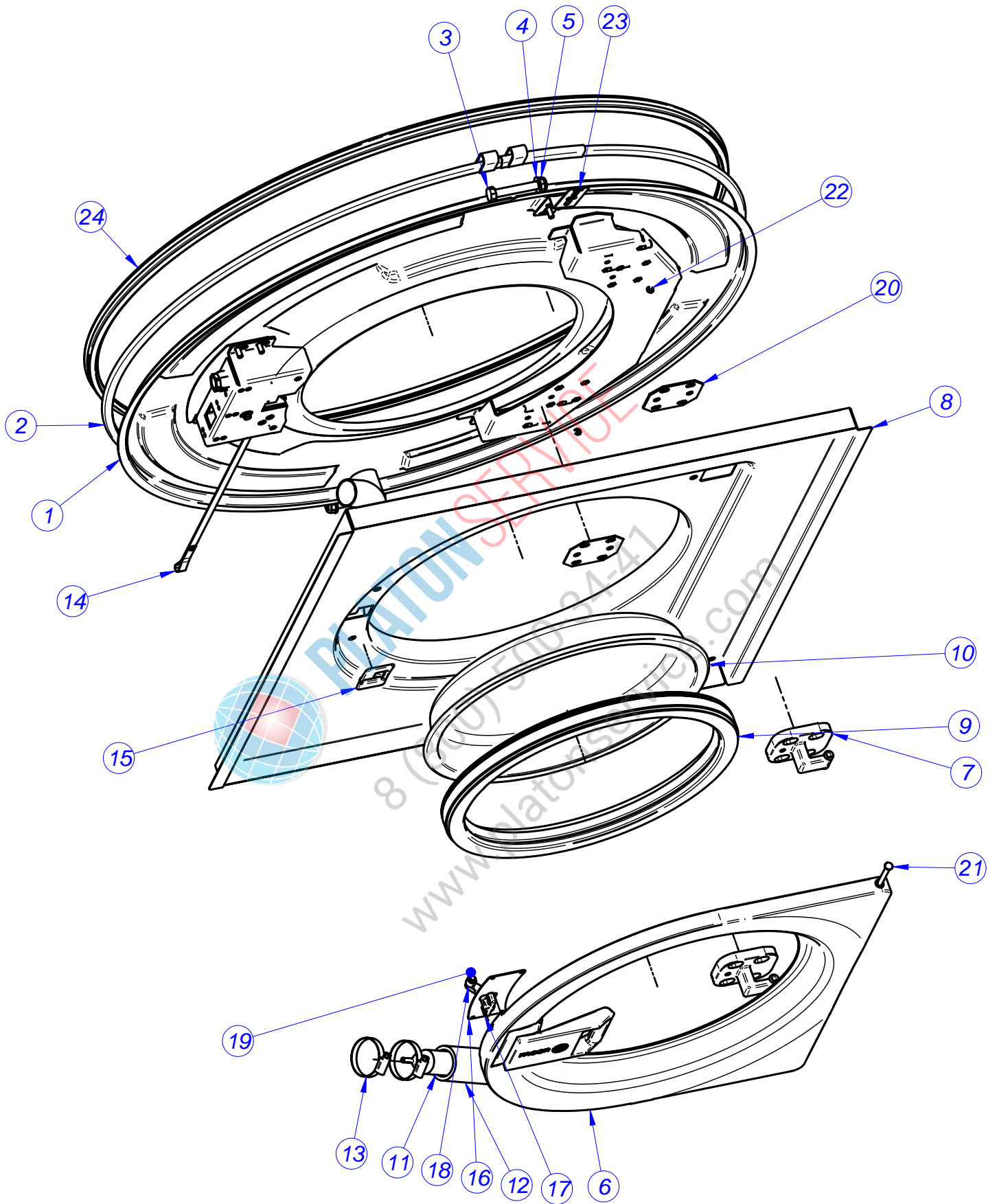


PLATON SERVICE  
8 (800) 500-34-41  
www.platonservice.com



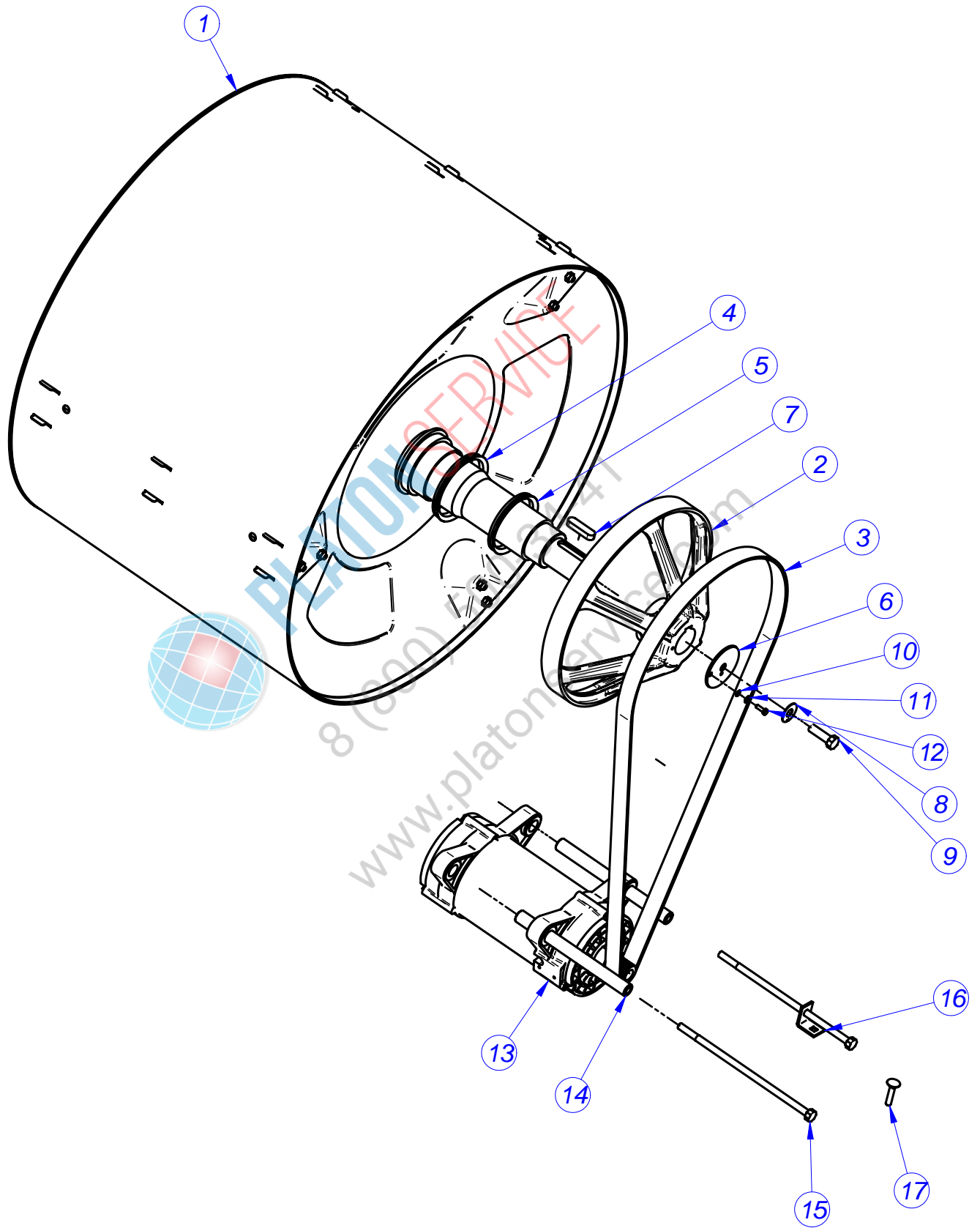
PLATON SERVICE  
8 (800) 500-34-47  
www.platonservice.com







| Nº | DENOMINACION         | LR-10 | LA-10 | LR-13 | LA-13 | LR-18 | LA-18 | LR-25 | LA-25 | CODIGO     |            |
|----|----------------------|-------|-------|-------|-------|-------|-------|-------|-------|------------|------------|
| 1  | FRENTE CUBA COMPLETO | 1     | 1     |       |       |       |       |       |       | P616112000 |            |
|    |                      |       |       | 1     | 1     | 1     |       |       |       | P626112000 |            |
|    |                      |       |       |       |       |       | 1     | 1     |       |            | P636110000 |
|    |                      |       |       |       |       |       |       |       | 1     |            | P646008000 |
| 2  | CIERRE CUBA          | 1     | 1     |       |       |       |       |       |       | P616102000 |            |
|    |                      |       |       | 1     | 1     | 1     |       |       |       | P626118000 |            |
|    |                      |       |       |       |       |       | 1     | 1     |       |            | P636112000 |
|    |                      |       |       |       |       |       |       |       | 2     |            | P646107000 |
| 3  | TORN. CIERRE CUBA    | 1     | 1     | 1     | 1     | 1     | 1     | 1     | 2     | Q011369000 |            |
| 4  | ARAND. CIERRE        | 2     | 2     | 2     | 2     | 2     | 2     | 2     | 4     | Q232060000 |            |
| 5  | TUERCA CIERRE CUBA   | 1     | 1     | 1     | 1     | 1     | 1     | 1     | 2     | Q221306000 |            |
| 6  | PUERTA CON MANETA    | 1     | 1     |       |       |       |       |       |       | P610512000 |            |
|    |                      |       |       | 1     | 1     | 1     | 1     | 1     | 1     | P620532000 |            |
| 7  | BISAGRA PUERTA       | 2     | 2     | 2     | 2     | 2     | 2     | 2     | 2     | P620502000 |            |
| 8  | FONDO PUERTA         | 1     | 1     |       |       |       |       |       |       | P610501000 |            |
|    |                      |       |       | 1     | 1     | 1     | 1     | 1     | 1     | P620501000 |            |
| 9  | JUNTA PUERTA         | 1     | 1     |       |       |       |       |       |       | P610508000 |            |
|    |                      |       |       | 1     | 1     | 1     | 1     | 1     | 1     | P620528000 |            |
| 10 | MIRILLA PUERTA       | 1     | 1     |       |       |       |       |       |       | P440503000 |            |
|    |                      |       |       | 1     | 1     | 1     | 1     | 1     | 1     | P530503000 |            |
| 11 | CAMARA PRESOSTATO    | 1     | 1     | 1     | 1     | 1     | 1     | 1     | 1     | Q232060000 |            |
| 12 | CONDUCTO UNION       | 1     | 1     | 1     | 1     | 1     | 1     | 1     | 1     | P502106000 |            |
| 13 | ABRAZADERA           | 2     | 2     | 2     | 2     | 2     | 2     | 2     | 2     | Q881306000 |            |
| 14 | CIERRE COMPLETO      | 1     | 1     | 1     | 1     | 1     | 1     | 1     | 1     | P620531000 |            |
| 15 | EMBELLECEDOR CIERRE  | 1     | 1     | 1     | 1     | 1     | 1     | 1     | 1     | P620515000 |            |
| 16 | TAPA CIERRE          | 1     | 1     |       |       |       |       |       |       | P610504000 |            |
|    |                      |       |       | 1     | 1     | 1     | 1     | 1     | 1     | P627816000 |            |
| 17 | GANCHO CIERRE        | 1     | 1     | 1     | 1     | 1     | 1     | 1     | 1     | P620505000 |            |
| 18 | CASQUILLO            | 1     | 1     | 1     | 1     | 1     | 1     | 1     | 1     | P610506000 |            |
| 19 | ANILLO SEG           | 1     | 1     | 1     | 1     | 1     | 1     | 1     | 1     | Q302061000 |            |
| 20 | CALZO BISAGRA        | 4     | 4     | 4     | 4     | 4     | 4     | 4     | 4     | P620521000 |            |
| 21 | PASADOR PUERTA       | 2     | 2     | 2     | 2     | 2     | 2     | 2     | 2     | P620514000 |            |
| 22 | ARANDELA SEGURIDAD 4 | 2     | 2     | 2     | 2     | 2     | 2     | 2     | 2     | Q272020000 |            |
| 23 | SOPORTE CONDUCTO     | 1     | 1     | 1     | 1     | 1     | 1     | 1     | 1     | P626128000 |            |
| 24 | JUNTA CUBA           | 1     | 1     |       |       |       |       |       |       | P616104000 |            |
|    |                      |       |       | 1     | 1     | 1     |       |       |       | P626110000 |            |
|    |                      |       |       |       |       |       | 1     | 1     |       |            | P636108000 |
|    |                      |       |       |       |       |       |       |       | 1     |            | P646110000 |

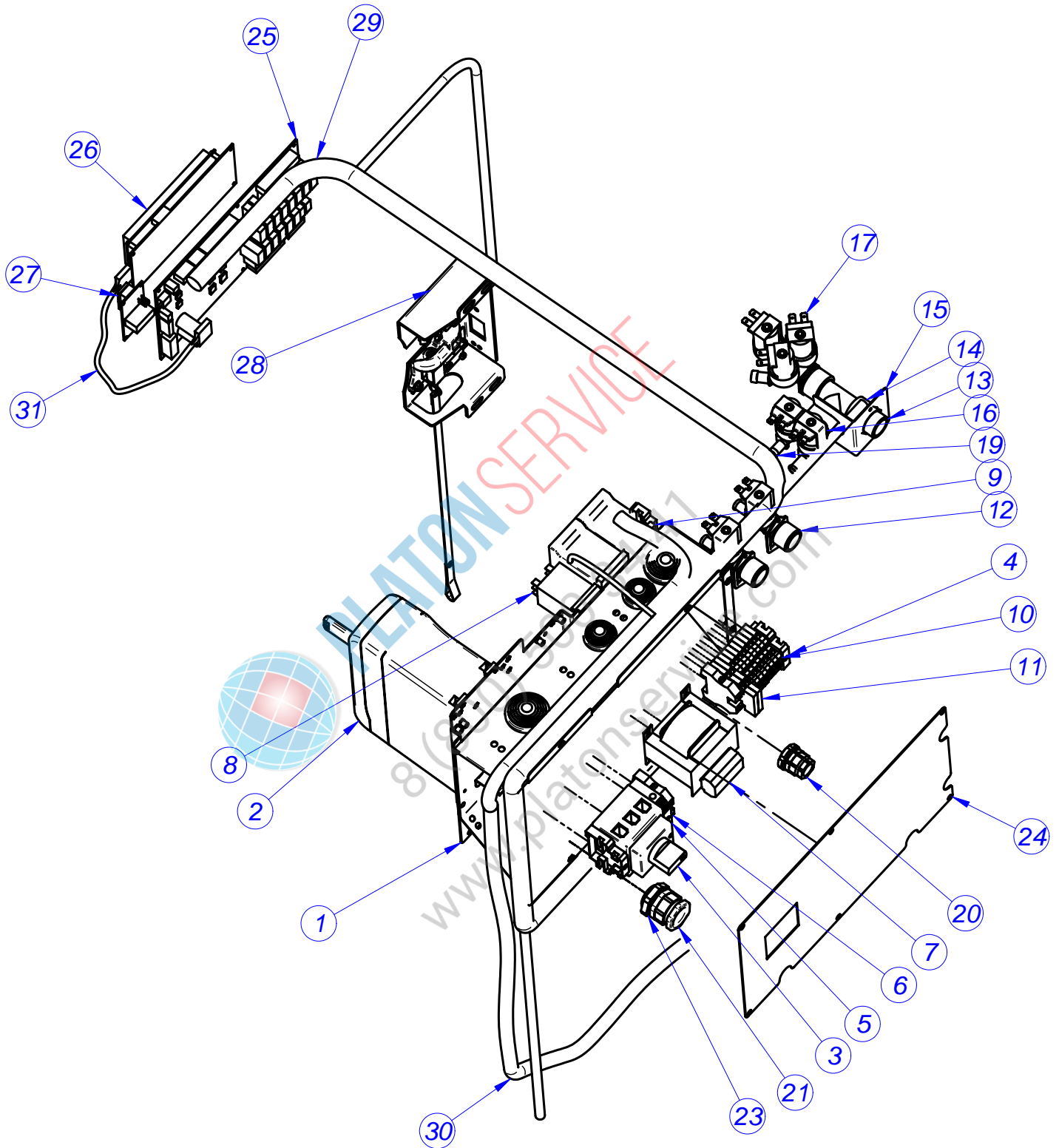


| Nº | DENOMINACION          | LR-10 |    | LA-10 |   |    | LR-13 |    | LA-13 |   |    | LR-18 |    | LA-18 |   |    | LR-25 |    | LA-25 |   |    | CODIGO     |            |            |
|----|-----------------------|-------|----|-------|---|----|-------|----|-------|---|----|-------|----|-------|---|----|-------|----|-------|---|----|------------|------------|------------|
|    |                       | M     | MA | MP    | M | MA | M     | MA | MP    | M | MA | M     | MA | MP    | M | MA | M     | MA | MP    | M | MA |            |            |            |
| 1  | TAMBOR COMPLETO       | 1     | 1  | 1     | 1 | 1  |       |    | 1     | 1 | 1  | 1     | 1  |       |   |    |       |    |       |   |    |            | P614916000 |            |
|    |                       |       |    |       |   |    |       |    |       |   |    |       |    |       |   |    |       |    |       |   |    |            | P624909000 |            |
|    |                       |       |    |       |   |    |       |    |       |   |    |       |    |       |   |    |       |    |       |   |    |            | P634010000 |            |
|    |                       |       |    |       |   |    |       |    |       |   |    |       |    |       |   |    |       |    |       |   |    |            | P634910000 |            |
|    |                       |       |    |       |   |    |       |    |       |   |    |       |    |       |   |    |       |    |       |   |    |            | P644010000 |            |
| 2  | POLEA                 |       |    |       |   |    |       |    |       |   |    |       |    |       |   |    |       |    |       |   |    | P616006000 |            |            |
|    |                       | 1     | 1  | 1     | 1 | 1  |       |    | 1     | 1 | 1  | 1     | 1  | 1     | 1 | 1  | 1     | 1  |       |   |    | P626006000 |            |            |
|    |                       |       |    |       |   |    |       |    |       |   |    |       |    |       |   |    |       |    |       |   |    |            | P646013000 |            |
|    |                       |       |    |       |   |    |       |    |       |   |    |       |    |       |   |    |       |    |       |   |    |            | P615902000 |            |
|    |                       |       |    |       |   |    |       |    |       |   |    |       |    |       |   |    |       |    |       |   |    |            | P635903000 |            |
| 3  | CORREA                |       |    |       |   |    |       |    |       |   |    |       |    |       |   |    |       |    |       |   |    | P615902000 |            |            |
|    |                       |       |    |       |   |    |       |    |       |   |    |       |    |       |   |    |       |    |       |   |    | P625903000 |            |            |
|    |                       |       |    |       |   |    |       |    |       |   |    |       |    |       |   |    |       |    |       |   |    | P635902000 |            |            |
|    |                       |       |    |       |   |    |       |    |       |   |    |       |    |       |   |    |       |    |       |   |    |            | P635908000 |            |
|    |                       |       |    |       |   |    |       |    |       |   |    |       |    |       |   |    |       |    |       |   |    |            | P645905000 |            |
| 4  | RETEN V-RING 1        | 1     | 1  | 1     | 1 | 1  |       |    |       |   |    |       |    |       |   |    |       |    |       |   |    | P634911000 |            |            |
|    |                       |       |    |       |   |    |       |    |       |   |    |       |    |       |   |    |       |    |       |   |    |            | P624914000 |            |
|    |                       |       |    |       |   |    |       |    |       |   |    |       |    |       |   |    |       |    |       |   |    |            | P634912000 |            |
|    |                       |       |    |       |   |    |       |    |       |   |    |       |    |       |   |    |       |    |       |   |    |            | P644916000 |            |
|    |                       |       |    |       |   |    |       |    |       |   |    |       |    |       |   |    |       |    |       |   |    |            | P614911000 |            |
| 5  | RETEN V-RING 2        |       |    |       |   |    |       |    |       |   |    |       |    |       |   |    |       |    |       |   |    | P624913000 |            |            |
|    |                       |       |    |       |   |    |       |    |       |   |    |       |    |       |   |    |       |    |       |   |    | P634911000 |            |            |
|    |                       |       |    |       |   |    |       |    |       |   |    |       |    |       |   |    |       |    |       |   |    |            | P644915000 |            |
|    |                       |       |    |       |   |    |       |    |       |   |    |       |    |       |   |    |       |    |       |   |    |            | P616010000 |            |
|    |                       |       |    |       |   |    |       |    |       |   |    |       |    |       |   |    |       |    |       |   |    |            | P626012000 |            |
| 6  | ARANDELA POLEA        | 1     | 1  | 1     | 1 | 1  |       |    |       |   |    |       |    |       |   |    |       |    |       |   |    | P614914000 |            |            |
|    |                       |       |    |       |   |    |       |    |       |   |    |       |    |       |   |    |       |    |       |   |    |            | P626010000 |            |
| 7  | CHAVETA               | 1     | 1  | 1     | 1 | 1  |       |    |       |   |    |       |    |       |   |    |       |    |       |   |    | P614914000 |            |            |
|    |                       |       |    |       |   |    |       |    |       |   |    |       |    |       |   |    |       |    |       |   |    |            | P626010000 |            |
| 8  | ARANDELA SEGURIDAD    | 1     | 1  | 1     | 1 | 1  | 1     | 1  | 1     | 1 | 1  | 1     | 1  | 1     | 1 | 1  | 1     | 1  | 1     | 1 | 1  | 1          | Q301329000 |            |
| 9  | TORNILLO POLEA        | 1     | 1  | 1     | 1 | 1  | 1     | 1  | 1     | 1 | 1  | 1     | 1  | 1     | 1 | 1  | 1     | 1  | 1     | 1 | 1  | 1          | Q011376000 |            |
| 10 | ARANDELA A5           | 1     | 1  | 1     | 1 | 1  | 1     | 1  | 1     | 1 | 1  | 1     | 1  | 1     | 1 | 1  | 1     | 1  | 1     | 1 | 1  | 1          | Q232030000 |            |
| 11 | ARAND.ABAN. A5 A.304  | 1     | 1  | 1     | 1 | 1  | 1     | 1  | 1     | 1 | 1  | 1     | 1  | 1     | 1 | 1  | 1     | 1  | 1     | 1 | 1  | 1          | Q242030000 |            |
| 12 | TORN.EXA. M5X15 A.304 | 1     | 1  | 1     | 1 | 1  | 1     | 1  | 1     | 1 | 1  | 1     | 1  | 1     | 1 | 1  | 1     | 1  | 1     | 1 | 1  | 1          | Q012032000 |            |
| 13 | MOTOR                 | 1     | 1  | 1     | 1 | 1  |       |    |       |   |    |       |    |       |   |    |       |    |       |   |    |            | P615906000 |            |
|    |                       |       |    |       |   |    |       |    |       |   |    |       |    |       |   |    |       |    |       |   |    |            | P625905000 |            |
|    |                       |       |    |       |   |    |       |    |       |   |    |       |    |       |   |    |       |    |       |   |    |            | P635906000 |            |
|    |                       |       |    |       |   |    |       |    |       |   |    |       |    |       |   |    |       |    |       |   |    |            | P645902000 |            |
|    |                       |       |    |       |   |    |       |    |       |   |    |       |    |       |   |    |       |    |       |   |    |            |            | P615908000 |
| 14 | TUBO SOPORTE MOTOR    | 2     | 2  | 2     | 2 | 2  |       |    |       |   |    |       |    |       |   |    |       |    |       |   |    |            | P625901000 |            |
|    |                       |       |    |       |   |    |       |    |       |   |    |       |    |       |   |    |       |    |       |   |    |            | P635907000 |            |
|    |                       |       |    |       |   |    |       |    |       |   |    |       |    |       |   |    |       |    |       |   |    |            | P645903000 |            |
|    |                       |       |    |       |   |    |       |    |       |   |    |       |    |       |   |    |       |    |       |   |    |            |            | Q151525000 |
|    |                       |       |    |       |   |    |       |    |       |   |    |       |    |       |   |    |       |    |       |   |    |            |            | Q151526000 |
| 15 | TORNILLO MOTOR        |       |    |       |   |    |       |    |       |   |    |       |    |       |   |    |       |    |       |   |    |            | Q151527000 |            |
|    |                       |       |    |       |   |    |       |    |       |   |    |       |    |       |   |    |       |    |       |   |    |            | Q151591000 |            |
|    |                       |       |    |       |   |    |       |    |       |   |    |       |    |       |   |    |       |    |       |   |    |            | P620214000 |            |
|    |                       |       |    |       |   |    |       |    |       |   |    |       |    |       |   |    |       |    |       |   |    |            |            | Q151393000 |
|    |                       |       |    |       |   |    |       |    |       |   |    |       |    |       |   |    |       |    |       |   |    |            |            |            |

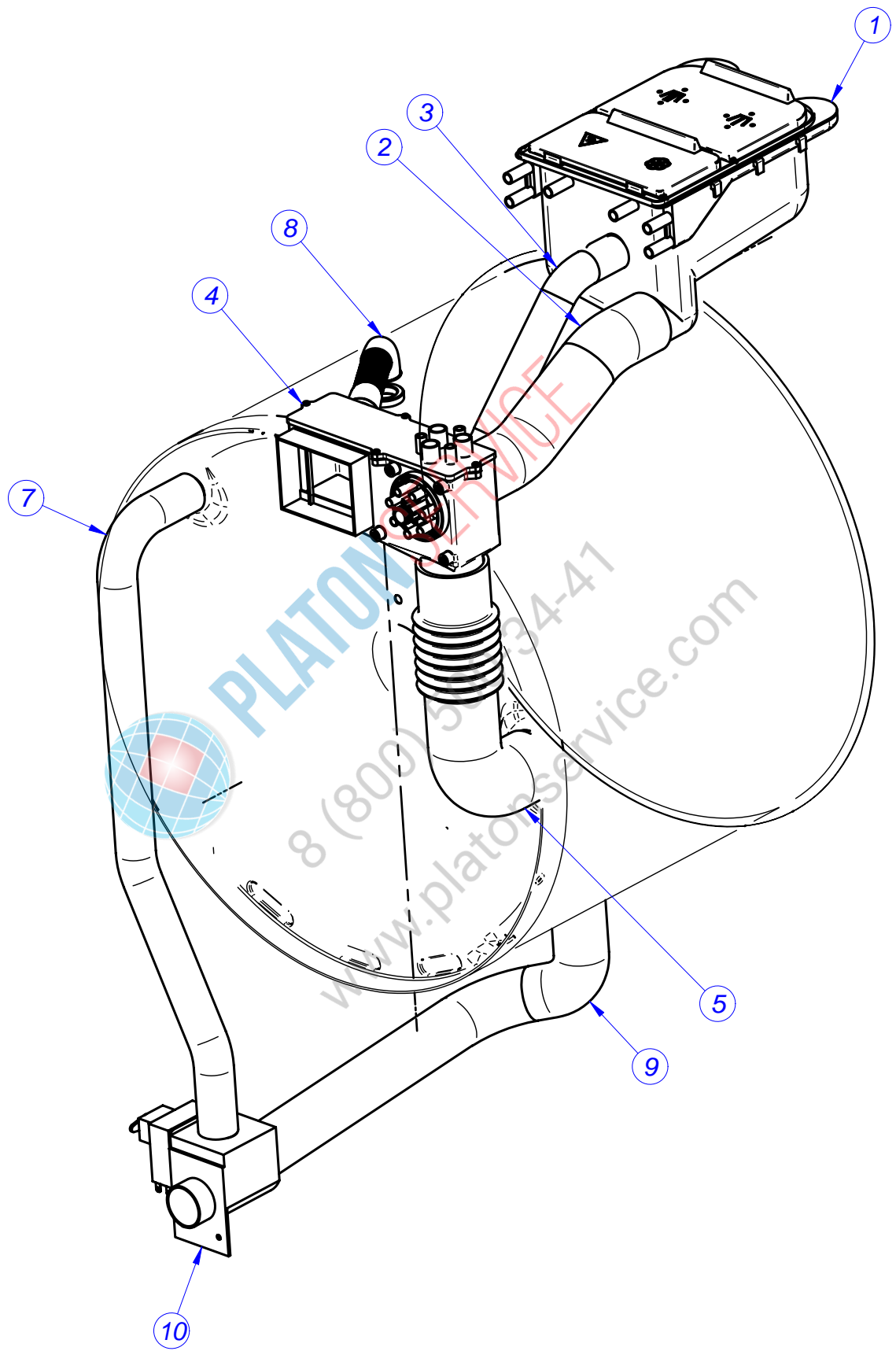


8 (800) 500-2221

www.platonservice.com



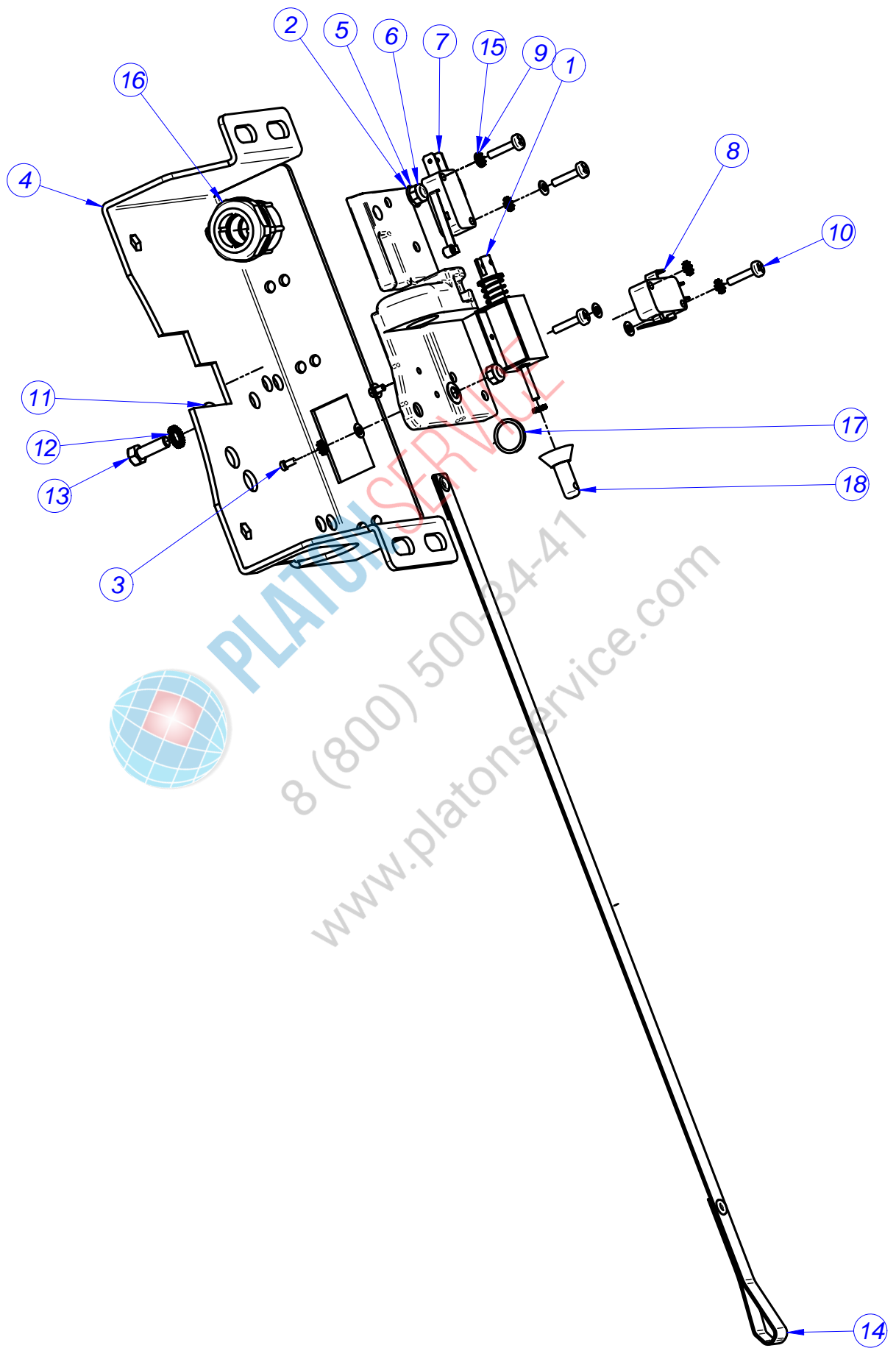




| Nº | DENOMINACION                 | LR-10 |    | LA-10 |   |    | LR-13 |    | LA-13 |   |    | LR-18 |    | LA-18 |   |    | LR-25 |    | LA-25 |   |    | CODIGO     |            |
|----|------------------------------|-------|----|-------|---|----|-------|----|-------|---|----|-------|----|-------|---|----|-------|----|-------|---|----|------------|------------|
|    |                              | M     | MA | MP    | M | MA | M     | MA | MP    | M | MA | M     | MA | MP    | M | MA | M     | MA | MP    | M | MA |            |            |
| 1  | CUBETA DETERGENTES           | 1     | 1  | 1     | 1 | 1  | 1     | 1  | 1     | 1 | 1  | 1     | 1  | 1     | 1 | 1  | 1     | 1  | 1     | 1 | 1  | P620712000 |            |
| 2  | CONDUCTO CUBETERA            | 1     | 1  | 1     | 1 | 1  | 1     | 1  | 1     | 1 | 1  |       |    |       |   |    |       |    |       |   |    | P610713000 |            |
|    |                              |       |    |       |   |    |       |    |       |   |    | 1     | 1  |       |   |    |       |    |       | 1 | 1  | 1          | P634022000 |
|    |                              |       |    |       |   |    |       |    |       |   |    |       |    |       | 1 | 1  | 1     |    |       |   |    |            | P630705000 |
|    |                              |       |    |       |   |    |       |    |       |   |    |       |    |       |   |    |       | 1  | 1     |   |    |            | P644033000 |
| 3  | CONDUCTO REBOSADERO CUBETERA | 1     | 1  | 1     | 1 | 1  | 1     | 1  | 1     | 1 | 1  |       |    |       |   |    |       |    |       |   |    | P610714000 |            |
|    |                              |       |    |       |   |    |       |    |       |   |    | 1     | 1  |       |   |    |       |    |       | 1 | 1  | 1          | P634023000 |
|    |                              |       |    |       |   |    |       |    |       |   |    |       |    |       | 1 | 1  | 1     |    |       |   |    |            | P630706000 |
|    |                              |       |    |       |   |    |       |    |       |   |    |       |    |       |   |    |       | 1  | 1     |   |    |            | P644034000 |
| 4  | CAJA COLECTOR                | 1     | 1  | 1     | 1 | 1  | 1     | 1  | 1     | 1 | 1  | 1     | 1  | 1     | 1 | 1  | 1     | 1  | 1     | 1 | 1  | P620723000 |            |
| 5  | CONDUCTO ENTRADA AGUA        | 1     | 1  | 1     | 1 | 1  |       |    |       |   |    |       |    |       |   |    |       |    |       |   |    | P610704000 |            |
|    |                              |       |    |       |   |    | 1     | 1  | 1     | 1 | 1  | 1     | 1  |       |   |    |       |    |       |   |    |            | P620702000 |
|    |                              |       |    |       |   |    |       |    |       |   |    |       |    |       | 1 | 1  | 1     | 1  | 1     | 1 | 1  | 1          | P630701000 |
| 7  | CONDUCTO REBOSADERO          | 1     | 1  | 1     | 1 | 1  |       |    |       |   |    |       |    |       |   |    |       |    |       |   |    | P610702000 |            |
|    |                              |       |    |       |   |    | 1     | 1  | 1     | 1 | 1  | 1     | 1  |       |   |    |       |    |       |   |    |            | P620704000 |
|    |                              |       |    |       |   |    |       |    |       |   |    |       |    |       | 1 | 1  | 1     | 1  | 1     |   |    |            | P630702000 |
|    |                              |       |    |       |   |    |       |    |       |   |    |       |    |       |   |    |       |    |       | 1 | 1  | 1          | P640703000 |
| 8  | SALIDA VAHOS                 | 1     | 1  | 1     | 1 | 1  | 1     | 1  | 1     | 1 | 1  | 1     | 1  | 1     | 1 | 1  | 1     | 1  | 1     | 1 | 1  | P610705000 |            |
| 9  | CONDUCTO DESAGÜE             | 1     | 1  | 1     | 1 | 1  | 1     | 1  | 1     | 1 | 1  |       |    |       |   |    |       |    |       |   |    | P610703000 |            |
|    |                              |       |    |       |   |    |       |    |       |   |    | 1     | 1  |       |   |    |       |    |       |   |    | P634021000 |            |
|    |                              |       |    |       |   |    |       |    |       |   |    |       |    |       | 1 | 1  | 1     |    |       |   |    |            | P630703000 |
|    |                              |       |    |       |   |    |       |    |       |   |    |       |    |       |   |    |       | 1  | 1     | 1 | 1  | 1          | P532119000 |
| 10 | VALVULA                      | 1     | 1  | 1     | 1 | 1  | 1     | 1  | 1     | 1 | 1  | 1     | 1  | 1     | 1 | 1  |       |    |       |   |    | P302120000 |            |
|    |                              |       |    |       |   |    |       |    |       |   |    |       |    |       |   |    |       | 1  | 1     | 1 | 1  | 1          | P532103000 |



PLATON SERVICE  
 8 (800) 500-34-41  
 www.platonservice.com





| Nº | DENOMINACION                | LR-10 | LA-10 | LR-13 | LA-13 | LR-18 | LA-18 | LR-25 | LA-25 | CODIGO     |
|----|-----------------------------|-------|-------|-------|-------|-------|-------|-------|-------|------------|
| 1  | ELECTROIMAN PUERTA          | 1     | 1     | 1     | 1     | 1     | 1     | 1     | 1     | P613002000 |
| 2  | BASE CIERRE V3              | 1     | 1     | 1     | 1     | 1     | 1     | 1     | 1     | P620534000 |
| 3  | TORN. ALLEN M2.5x5          | 2     | 2     | 2     | 2     | 2     | 2     | 2     | 2     | Q151396000 |
| 4  | CALZO CIERRE FAGOR 13,18,25 | 1     | 1     | 1     | 1     | 1     | 1     | 1     | 1     | P620530000 |
| 5  | ARANDELA A5                 | 2     | 2     | 2     | 2     | 2     | 2     | 2     | 2     | Q232030000 |
| 6  | TUER.AUTOB.M5               | 2     | 2     | 2     | 2     | 2     | 2     | 2     | 2     | Q222030000 |
| 7  | INTERRUPTOR PUERTA          | 1     | 1     | 1     | 1     | 1     | 1     | 1     | 1     | R010534000 |
| 8  | INTERRUPTOR PUERTA PLANO    | 1     | 1     | 1     | 1     | 1     | 1     | 1     | 1     | P620526000 |
| 9  | ARAND.ABAN. A.3 A304        | 8     | 8     | 8     | 8     | 8     | 8     | 8     | 8     | Q242010000 |
| 10 | TORNILLO ALOMADO M3X15      | 4     | 4     | 4     | 4     | 4     | 4     | 4     | 4     | Q032012000 |
| 11 | ARANDELA 16X6X1.2 A.304     | 1     | 1     | 1     | 1     | 1     | 1     | 1     | 1     | Q302022000 |
| 12 | ARAND.ABAN. A5 A.304        | 1     | 1     | 1     | 1     | 1     | 1     | 1     | 1     | Q242030000 |
| 13 | TORN.EXA. M5X15 A.304       | 1     | 1     | 1     | 1     | 1     | 1     | 1     | 1     | Q012032000 |
| 14 | TIRADOR PUERTA              | 1     | 1     | 1     | 1     | 1     | 1     | 1     | 1     | P620520000 |
| 15 | ARANDELA PLANA A3,DIN125    | 6     | 6     | 6     | 6     | 6     | 6     | 6     | 6     | Q232010000 |
| 16 | PRENSA ESTOPAS              | 1     | 1     | 1     | 1     | 1     | 1     | 1     | 1     | R073004000 |
| 17 | ANILLO ELECTROIMAN          | 1     | 1     | 1     | 1     | 1     | 1     | 1     | 1     | P620525000 |
| 18 | DESBLOQUEO                  | 1     | 1     | 1     | 1     | 1     | 1     | 1     | 1     | P620529000 |
| 19 | CABLEADO CIERRE             | 1     | 1     | 1     | 1     | 1     | 1     | 1     | 1     | P633010000 |



PLATON SERVICE  
8 (800) 500-34-47  
www.platonservice.com

| Nº | DENOMINACION            | LR-10 | LA-10 | LR-13 | LA-13 | LR-18 | LA-18 | LR-25 | LA-25 | CODIGO     |
|----|-------------------------|-------|-------|-------|-------|-------|-------|-------|-------|------------|
| 1  | RODAMIENTO EXTERIOR     | 1     | 1     |       |       |       |       |       |       | P616008000 |
|    |                         |       |       | 1     | 1     | 1     |       | 1     |       | P626009000 |
|    |                         |       |       |       |       |       | 1     | 1     |       | P644904000 |
| 2  | RODAMIENTO INTERIOR     | 1     | 1     |       |       |       |       |       |       | P616009000 |
|    |                         |       |       | 1     | 1     | 1     |       | 1     |       | P626009000 |
|    |                         |       |       |       |       |       | 1     | 1     |       | P636008000 |
| 3  | JUNTA CASQ. CONTRARETEN | 1     | 1     | 1     | 1     | 1     |       |       |       | P644903000 |
|    |                         |       |       |       |       |       | 1     |       |       | P616013000 |
|    |                         |       |       |       |       |       |       | 1     |       | P636011000 |
| 4  | RETEN V-RING 1          | 1     | 1     |       |       |       |       |       |       | P646017000 |
|    |                         |       |       | 1     | 1     | 1     |       |       |       | P634911000 |
|    |                         |       |       |       |       |       | 1     |       |       | P624914000 |
| 5  | RETEN V-RING 2          | 1     | 1     |       |       |       |       |       |       | P634912000 |
|    |                         |       |       | 1     | 1     | 1     |       |       |       | P644916000 |
|    |                         |       |       |       |       |       | 1     | 1     |       | P614911000 |
| 6  | JUNTA TÓRICA            | 1     | 1     |       |       |       |       |       |       | P624913000 |
|    |                         |       |       | 1     | 1     | 1     |       |       |       | P634911000 |
|    |                         |       |       |       |       |       | 1     | 1     |       | P644915000 |
| 7  | ARANDELA SEGURIDAD      | 18    | 18    | 6     | 6     | 6     |       |       |       | Q307073000 |
|    |                         |       |       | 12    | 12    | 12    | 18    | 18    |       | Q307075000 |
|    |                         |       |       |       |       |       |       |       | 1     | Q307077000 |
| 8  | ARANDELA SEG. POLEA     | 1     | 1     | 1     | 1     | 1     | 1     | 1     | 1     | Q307083000 |
|    |                         |       |       |       |       |       |       |       |       | Q271302000 |
|    |                         |       |       |       |       |       |       |       |       | Q271304000 |
| 9  | ANILLO SEGURIDAD        | 1     | 1     |       |       |       |       |       |       | Q301044000 |
|    |                         |       |       |       | 1     | 1     |       |       |       | Q301030000 |
|    |                         |       |       |       |       |       | 1     | 1     |       | Q301036000 |
| 10 | GRASA RETENES           | 1     | 1     | 1     | 1     | 1     | 1     | 1     | 1     | Q301045000 |
|    |                         |       |       |       |       |       |       |       |       | P536544000 |



PLATONSERVICE  
 8 (800) 500-3444  
 www.platonservice.com